



LED Solar Floodlight EcoMax

Features

- Solar energy only.
- Aluminum structure and Tempered glass cover
- Smart control

Benefits

- No electricity expense.
- No wiring, low installation effort.
- Sturdy and durable(UV/Wind/Water proof)
- Long lasting, low maintenance effort.

Application



Streetlight Specification

Item Code	Item Description	Power (W)	Lumen (lm)	Efficacy (lm/W)	Photovoltaic Panel Power(W)	Photovoltaic Panel Voltage(V)	lithium iron phosphate battery Capacity (WH)	lithium iron phosphate battery Voltage (V)	Lifetime (L70/B50)	Lamp color
709001000810	LED Solarflood-E 2.5W-5700K-WH-GP	2.5	300	120	7	9	16	3.2	15000	Black
709001001010	LED Solarflood-E 5.5W-5700K-WH-GP	5.5	660	120	12	9	32	3.2	15000	Black
709001001210	LED Solarflood-E 9W-5700K-WH-GP	9	1080	120	18	12	48	9.6	15000	Black
709001000910	LED Solarflood-E 12W-5700K-WH-GP	12	1440	120	25	9	64	6.4	15000	Black

Technical Specifications

CRI	≥80
Colour Consistency (SDCM)	7
Dimmable	Yes (Automatic)
Housing Colour	Black
IP	IP65
IK	IK06
Driver integrated (Yes/No)	Yes
Glow wire test	650°C
Weight (pc/kg)	0.63/0.94/1.61/2.36kg

Mechanical Properties

Housing Material	Die-cast Aluminum Alloy
Optical Material	Tempered Glass

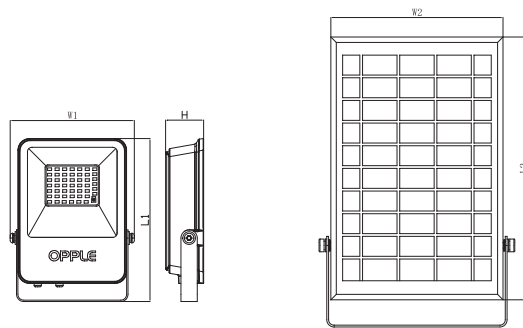
Application Conditions

Operating Temperature	-10-50°C
Storage Environment	-25-65°C

Packaging Information

Item		Packaging Unit(1pcs/unit)		
Item Code	Item Description	Dimensions(mm) (LxWxH)	Gross Weight (kg)	Packing Qty (pcs/CTN)
709001000810	LED Solarflood-E 2.5W-5700K-WH-GP	350*250*112	1.8	1
709001001010	LED Solarflood-E 5.5W-5700K-WH-GP	490*410*115	2.9	1
709001001210	LED Solarflood-E 9W-5700K-WH-GP	490*410*115	4.4	1
709001000910	LED Solarflood-E 12W-5700K-WH-GP	590*410*118	5.7	1

Dimensional Drawing



Model	L1(mm)	W1(mm)	H (mm)	L2(mm)	W2(mm)
SFL-E 2.5W	180	137	42	290	190
SFL-E 5.5W	212	160	42	290	350
SFL-E 9W	273	207	45	430	350
SFL-E 12W	374	261	48	530	350

Photometric Data

