



LED US Tunable Downlight

Features

- Tunable white
- High CRI
- Premium quality

Benefits

- One light with three CCT to meet the needs of different scenes
- Higher color rendering Ra>80, to render the true colors
- Safety protection, circuit built-in short circuit protection and fuse protection

Application



Specification

Item Code	Item Description	Power (W)	Power Factor	Lumen (lm)	Efficacy (lm/W)	Beam Angle (°)	CRI	Input Current (mA)	CCT (K)	Life Time (L70B50)	MOQ (pcs)
540001201500	LEDDownlightRc-US R75-4W-WH-TW	4	0.5	280	70	100	>80	37	4000K→5700K→3000K	20000	1800
540001202000	LEDDownlightRc-US R85-6W-WH-TW	6	0.5	420	70	100	>80	54	4000K→5700K→3000K	20000	1800

Technical Specifications	
CRI	≥80
Colour Consistency (SDCM)	<6
Dimmable	No
Housing Colour	White
IP	IP20
IK	IK02
Driver integrated (Yes/No)	Yes
Glow wire test	650 C
Driver failure rate	1% at 5000h
Weight (pc/kg)	0.044/ 0.059

Electrical Supply	
Frequency (Hz)	50 / 60
Voltage (V)	220-240
AC / DC	AC

Mechanical Properties	
Housing Material	PP
Optical Material	PP

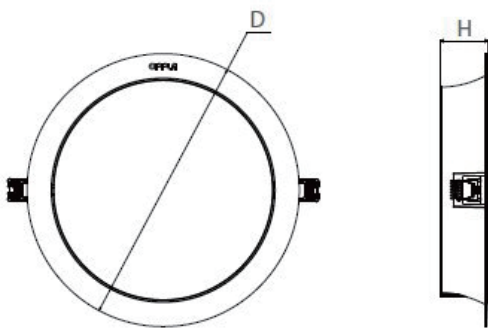
Application Conditions	
Operating Temperature	-25-50°C
Application Temperature	25°C
Storage Environment	-25-50°C

CB

Packaging Information

Item		Single Box(1pc/box)		Outer Box		
Item Code	Item Description	Dimensions(mm) (LxWxH)	Gross Weight (kg)	Dimensions(mm) (LxWxH)	Gross Weight (kg)	Packing Qty (pcs/carton)
540001201500	LEDDownlightRc-US R75-4W-WH-TW	102*102*50	0.086	530*320*230	5.16	60
540001202000	LEDDownlightRc-US R85-6W-WH-TW	115*115*50	0.102	595*360*230	6.54	60

Dimensional Drawing



Type	H(mm)	D(mm)	Recessed Cutou (mm)
LED DL-RC-US 4W TW	34	Ø95	Ø70
LED DL-RC-US 6W TW	34	Ø110	Ø85

Photometric Data

