

LED Spotlight Grid US

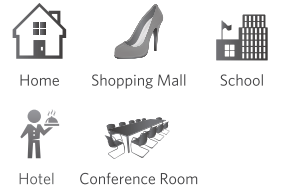
## Features

- Clean Beam
- Comfortable Light
- Flexible Adjustment
- Energy Saving

## Benefits

- Innovative TIR lens offers clean beam light free of multiple shadows for professional accent lighting.
- Light without flicker reduces stress while working/living underneath.
- Adjustable in horizontal and vertical. Flexible to highlight objects from various angle.
- Up to 85% energy saving compared with 35W&50W halogen spot, perfect choice to replace traditional spot lamp.

## Application



## Specification

Item Code	Item Description	Power (W)	Power Factor	Lumen (lm)	Efficacy (lm/W)	Input Current (mA)	Lifetime (L70B50)	MOQ (pcs)
541003341100	LEDSpotGR-US-1-6W-3000-24D-WH-GP	6	0.5	400	66.7	49	20000	600
541003340700	LEDSpotGR-US-1-6W-4000-24D-WH-GP	6	0.5	450	75	49	20000	600
541003340100	LEDSpotGR-US-1-6W-5700-24D-WH-GP	6	0.5	450	75	49	20000	600
541003341200	LEDSpotGR-US-2-12W-3000-24D-WH-GP	12	0.5	800	66.7	98	20000	600
541003340600	LEDSpotGR-US-2-12W-4000-24D-WH-GP	12	0.5	900	75	98	20000	600
541003340300	LEDSpotGR-US-2-12W-5700-24D-WH-GP	12	0.5	900	75	98	20000	600
541003340400	LEDSpotGR-US-1-8W-3000-24D-WH-GP	8	0.5	550	68.8	66	20000	600
541003340200	LEDSpotGR-US-1-8W-4000-24D-WH-GP	8	0.5	600	75	66	20000	600
541003341000	LEDSpotGR-US-1-8W-5700-24D-WH-GP	8	0.5	600	75	66	20000	600
541003340800	LEDSpotGR-US-2-16W-3000-24D-WH-GP	16	0.5	1100	68.8	132	20000	600
541003340900	LEDSpotGR-US-2-16W-4000-24D-WH-GP	16	0.5	1200	75	132	20000	600
541003340500	LEDSpotGR-US-2-16W-5700-24D-WH-GP	16	0.5	1200	75	132	20000	600



Technical Specifications	
CRI	80
Colour Consistency (SDCM)	≤ 6
Dimmable	No
Housing Colour	White
IP	IP20
IK	IK02
Driver integrated (Yes/No)	Yes
Glow wire test	650°C
Driver failure rate	1% at 5000h
Weight (pc/kg)	0.128/0.249

Electrical Supply	
Frequency (Hz)	50/60
Voltage (V)	220-240
AC / DC	AC

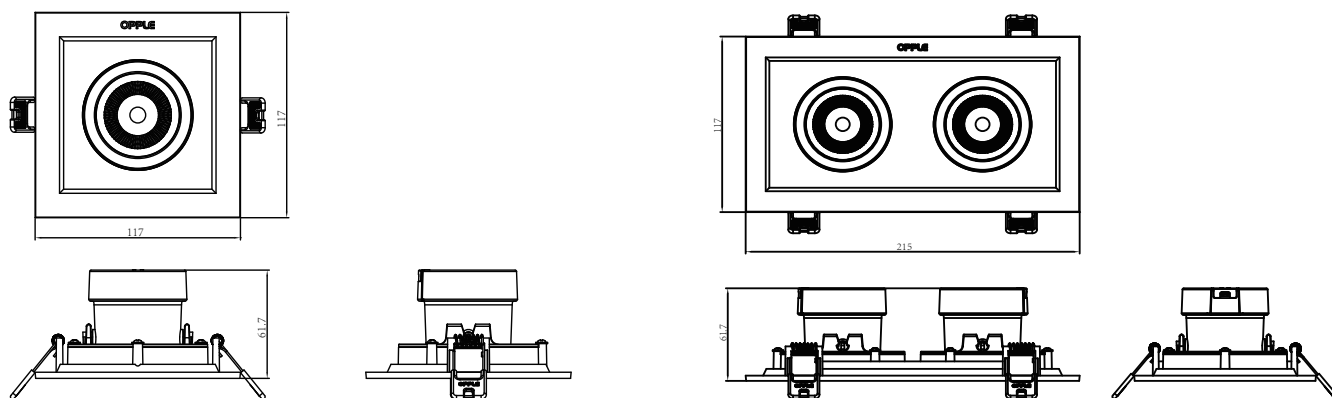
Mechanical Properties	
Housing Material	PC
Optical Material	PC

Application Conditions	
Operating Temperature	-15-45°C
Application Temperature	25°C
Storage Environment	-25-50°C

## Packaging Information

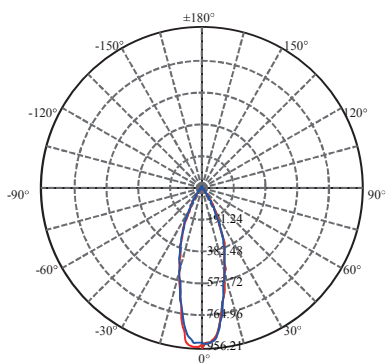
Item		Single Box(1pc/box)		Packaging Unit		
Item Code	Item Description	Dimensions(mm) (LxWxH)	Gross Weight (kg)	Dimensions(mm) (LxWxH)	Gross Weight (kg)	Packing Qty (pcs/unit)
541003341100	LEDspotGR-US-1-6W-3000-24D-WH-GP	152*122*82	0.266	325*265*270	3.192	12
541003340700	LEDspotGR-US-1-6W-4000-24D-WH-GP	152*122*82	0.266	325*265*270	3.192	12
541003340100	LEDspotGR-US-1-6W-5700-24D-WH-GP	152*122*82	0.266	325*265*270	3.192	12
541003341200	LEDspotGR-US-2-12W-3000-24D-WH-GP	220*150*82	0.43	320*235*270	2.58	6
541003340600	LEDspotGR-US-2-12W-4000-24D-WH-GP	220*150*82	0.43	320*235*270	2.58	6
541003340300	LEDspotGR-US-2-12W-5700-24D-WH-GP	220*150*82	0.43	320*235*270	2.58	6
541003340400	LEDspotGR-US-1-8W-3000-24D-WH-GP	152*122*82	0.266	325*265*270	3.192	12
541003340200	LEDspotGR-US-1-8W-4000-24D-WH-GP	152*122*82	0.266	325*265*270	3.192	12
541003341000	LEDspotGR-US-1-8W-5700-24D-WH-GP	152*122*82	0.266	325*265*270	3.192	12
541003340800	LEDspotGR-US-2-16W-3000-24D-WH-GP	220*150*82	0.43	320*235*270	2.58	6
541003340900	LEDspotGR-US-2-16W-4000-24D-WH-GP	220*150*82	0.43	320*235*270	2.58	6
541003340500	LEDspotGR-US-2-16W-5700-24D-WH-GP	220*150*82	0.43	320*235*270	2.58	6

## Dimensional Drawing



Type	Length (mm)	Width (mm)	Height (mm)	Recessed Cutout (mm)
LED SP-GR-US-1 6W	117	117	62	100*100
LED SP-GR-US-2 12W	117	215	62	100*190
LED SP-GR-US-1 8W	117	117	62	100*100
LED SP-GR-US-2 16W	117	215	62	100*190

## Photometric Data



36D

### OPPLE SHANGHAI OFFICE

Building V3, The Mixc, 1799 Wuzhong Road,  
Minhang District, Shanghai, China  
ZIP: 201103

T +86 21 3855 0000

E intersales@opple.com

[WWW.OPPLE.COM/EN](http://WWW.OPPLE.COM/EN)