



LED Solar Street EcoMax S

Features

- Solar energy only
- Multiple installation methods
- Aluminum structure and UV proof PC lens
- Smart control(Motion sensor/automatic dim)

Benefits

- No electricity expense
- No wiring, low installation effort
- Sturdy and durable(UV/Wind/Water proof)
- Long lasting, low maintenance effort

Application





Specification

Item Code	Item Description	Lumen (lm)	Efficacy (lm/W)	Lifetime (L70B50)	Lamp Color	Equivalent CFL (W)
543027007310	LED SolarStreet-E 6W-4000-GD-GP	1000	160	30000	Golden	23
543027007410	LED SolarStreet-E 6W-4000-SL-GP	1000	160	30000	Silver	23

Accessory



Item Code	Item Description	Color	Gross Weight (kg)	Packing Qty (pcs)	picture
543098013010	Solarstreet S pole-mount accessory-SL	Silver	0.27	100	
543098012910	Solarstreet S pole-mount accessory-GD	Golden	0.27	100	

Technical Specifications

CRI	≥ 70
Colour Consistency (SDCM)	6
Dimmable	Yes (Automatic)
Housing Colour	Silver/Golden
IP	IP65
IK	IK08
Driver integrated (Yes/No)	Yes
Glow wire test	650°C
Weight (pc/kg)	2.9kg

Mechanical Properties

Housing Material	Aluminum
Optical Material	PC

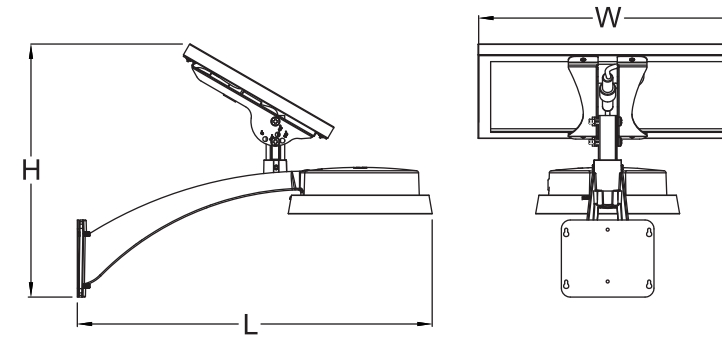
Application Conditions

Operating Temperature	-20-45°C
Storage Environment	-25-85°C

Packaging Information

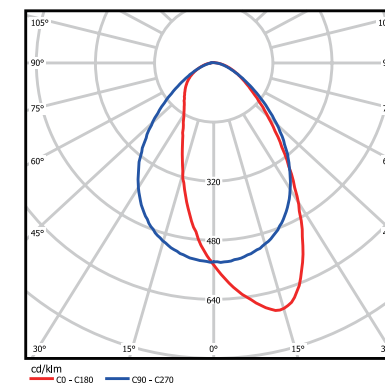
Item		Single Box(1pc/box)		Packaging Unit		
Item Code	Item Description	Dimensions(mm) (LxWxH)	Gross Weight (kg)	Dimensions(mm) (LxWxH)	Gross Weight (kg)	Packing Qty (pcs/unit)
543027007310	LED SolarStreet-E 6W-4000-GD-GP	310*310*510	3.5	640*340*540	8.1	2
543027007410	LED SolarStreet-E 6W-4000-SL-GP	310*310*510	3.5	640*340*540	8.1	2

Dimensional Drawing



Model	L(mm)	W(mm)	H(mm)
LED SolarStreet-E 6W-4000-GD-GP	477	350	341
LED SolarStreet-E 6W-4000-SL-GP	477	350	341

Photometric Data



88°+45°