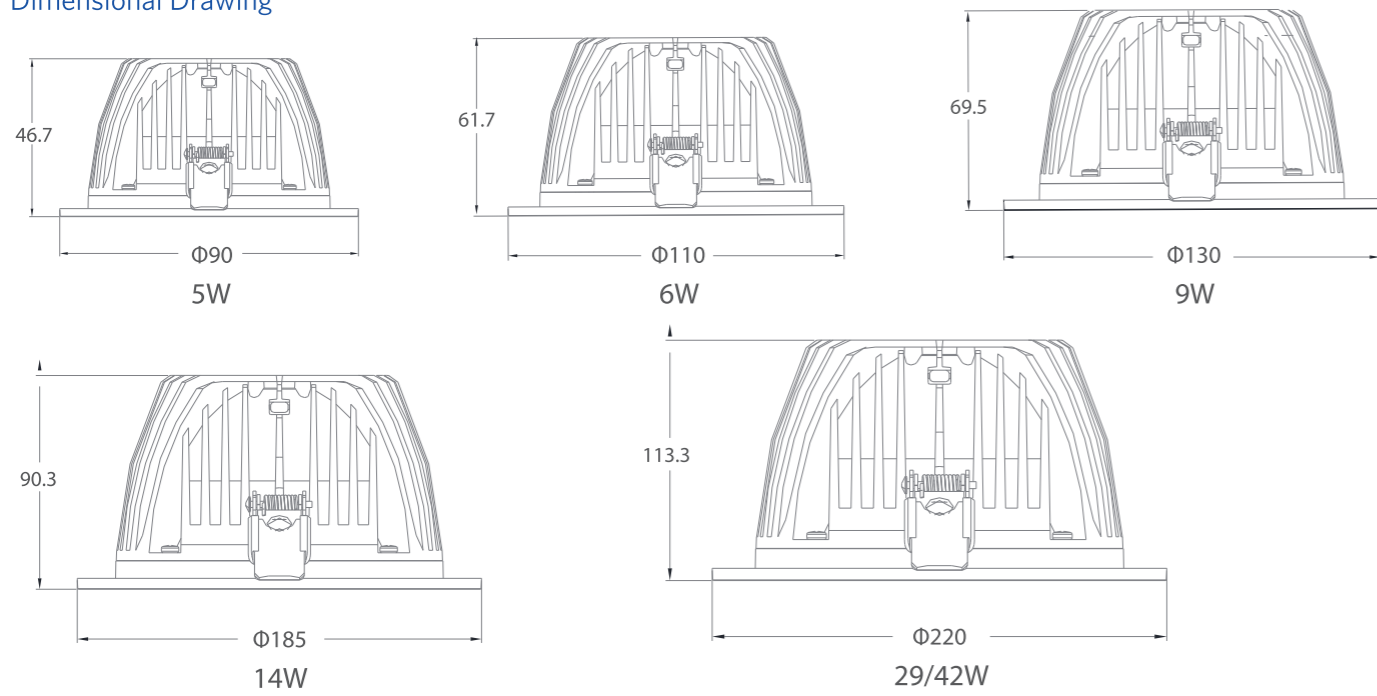
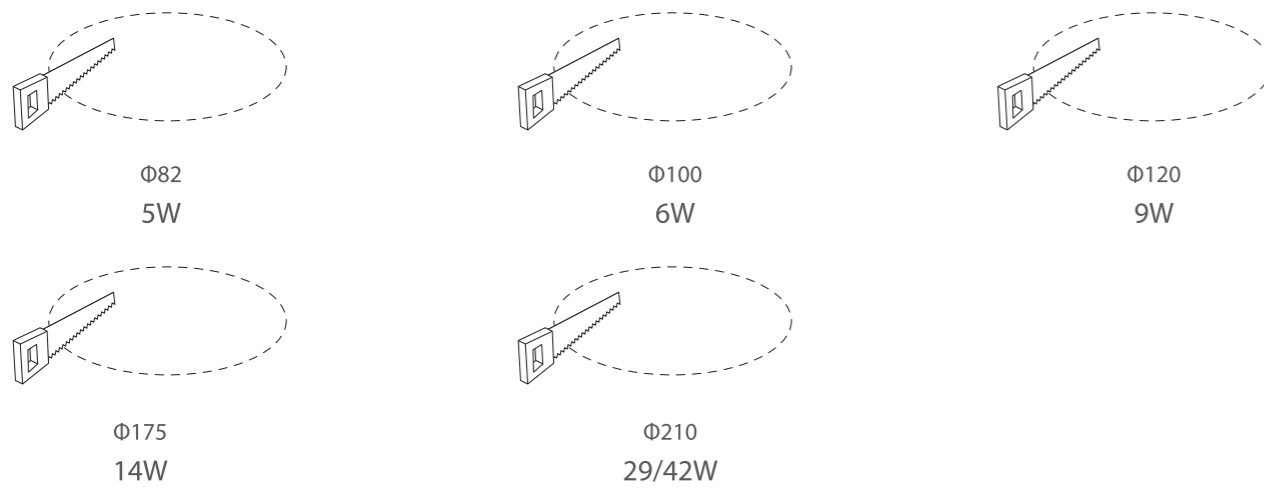


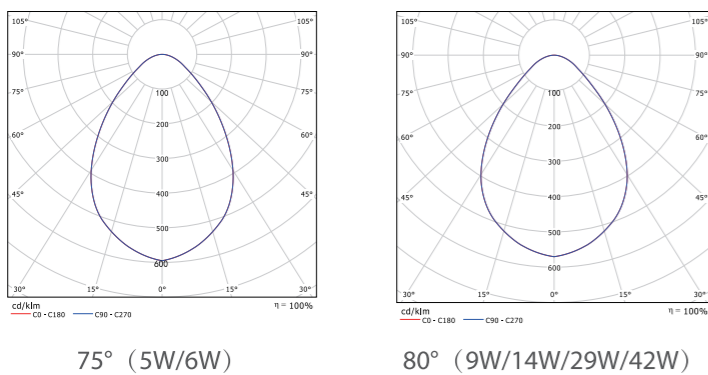
## Dimensional Drawing



## Cut-out Drawing



## Photometric Data



LED Downlight HZII

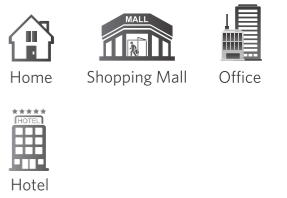
## Features

- Easy Installation
- High efficacy
- Long lifespan

## Benefits

- Full range of sizes 4" 6" 7" 8" ideal choice for replacement projects
- Die-cast aluminum design for up to 30,000 hours of life
- System efficacy up to 90lm/W
- Ring and lamp body separate design for easy installation and improved assembly efficiency

## Application



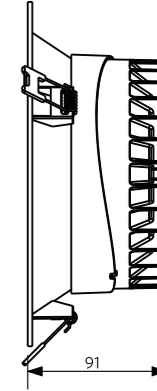
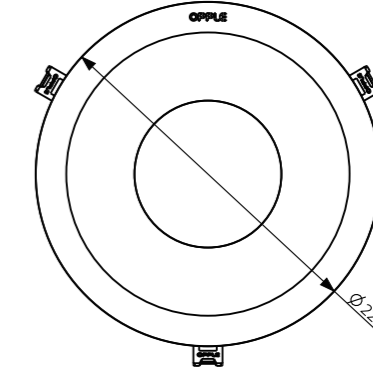
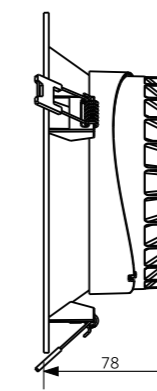
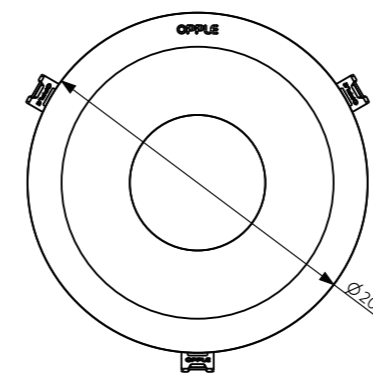
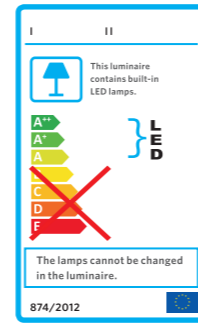
## Specification

Item Code	Item Description	Power (W)	Power Factor	Lumen (lm)	Efficacy (lm/W)	Input Current (mA)	Lifetime (L70B50)	MOQ (pcs)
540001039010	LEDDownlight Rc-HZII R100-10W-3000-WH-GP	10	0.9	850	85	55	30000	540
540001039110	LEDDownlight Rc-HZII R100-10W-4000-WH-GP	10	0.9	900	90	55	30000	540
540001039210	LEDDownlight Rc-HZII R100-10W-5700-WH-GP	10	0.9	900	90	55	30000	540
540001039310	LEDDownlight Rc-HZII R150-15W-3000-WH-GP	15	0.9	1575	105	78	30000	540
540001039410	LEDDownlight Rc-HZII R150-15W-4000-WH-GP	15	0.9	1650	110	78	30000	540
540001039510	LEDDownlight Rc-HZII R150-15W-5700-WH-GP	15	0.9	1650	110	78	30000	540
540001039610	LEDDownlight Rc-HZII R175-20W-3000-WH-GP	20	0.9	1860	93	106	30000	540
540001039710	LEDDownlight Rc-HZII R175-20W-4000-WH-GP	20	0.9	2000	100	106	30000	540
540001039810	LEDDownlight Rc-HZII R175-20W-5700-WH-GP	20	0.9	2000	100	106	30000	540
540001039910	LEDDownlight Rc-HZII R200-30W-3000-WH-GP	30	0.9	3150	105	140	30000	520
540001040010	LEDDownlight Rc-HZII R200-30W-4000-WH-GP	30	0.9	3300	110	140	30000	520
540001040110	LEDDownlight Rc-HZII R200-30W-5700-WH-GP	30	0.9	3300	110	140	30000	520
540001040210	LEDDownlight Rc-HZII R200-40W-3000-WH-GP	40	0.9	3700	92.5	175	30000	520
540001040310	LEDDownlight Rc-HZII R200-40W-4000-WH-GP	40	0.9	4000	100	175	30000	520
540001040410	LEDDownlight Rc-HZII R200-40W-5700-WH-GP	40	0.9	4000	100	175	30000	520

Technical Specifications	
CRI	80
Colour Consistency (SDCM)	≤6
Dimmable	No
Housing Colour	White
IP	IP20
IK	IK02
Driver integrated (Yes/No)	No
Glow wire test	650°C
Driver failure rate	1% at 5000h
Weight (pc/kg)	0.166/0.216/0.397/0.574

Electrical Supply	
Frequency (Hz)	50/60
Voltage (V)	220-240
AC/DC	AC
Mechanical Properties	
Optical Material	Aluminium Alloy
Housing Material	PC
Application Conditions	
Operating Temperature	-10~45°C
Application Temperature	25°C
Storage Environment	-25~50°C

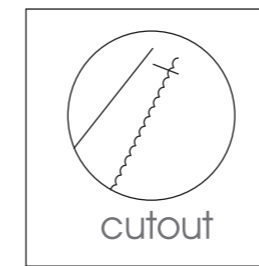
CE CB



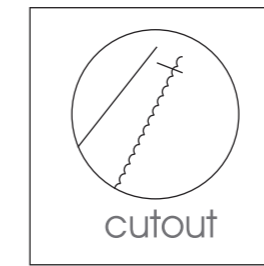
### Packaging Information

Item Code	Item Description	Single Box(1pc/box)		Outer box		
		Dimensions(mm) (LxWxH)	Gross Weight (kg)	Dimensions(mm) (LxWxH)	Gross Weight (kg)	Packing Qty (pcs/CTN)
540001039010	LEDDownlight Rc-HZII R100-10W-3000-WH-GP	129*59*130	0.304	405*315*280	9.12	30
540001039110	LEDDownlight Rc-HZII R100-10W-4000-WH-GP	129*59*130	0.304	405*315*280	9.12	30
540001039210	LEDDownlight Rc-HZII R100-10W-5700-WH-GP	129*59*130	0.304	405*315*280	9.12	30
540001039310	LEDDownlight Rc-HZII R150-15W-3000-WH-GP	199*192*80	0.363	415*400*425	7.26	20
540001039410	LEDDownlight Rc-HZII R150-15W-4000-WH-GP	199*192*80	0.363	415*400*425	7.26	20
540001039510	LEDDownlight Rc-HZII R150-15W-5700-WH-GP	199*192*80	0.363	415*400*425	7.26	20
540001039610	LEDDownlight Rc-HZII R175-20W-3000-WH-GP	228*217*90	0.67	470*450*295	8.04	12
540001039710	LEDDownlight Rc-HZII R175-20W-4000-WH-GP	228*217*90	0.67	470*450*295	8.04	12
540001039810	LEDDownlight Rc-HZII R175-20W-5700-WH-GP	228*217*90	0.67	470*450*295	8.04	12
540001039910	LEDDownlight Rc-HZII R200-30W-3000-WH-GP	258*251*102	0.982	530*265*435	7.856	8
540001040010	LEDDownlight Rc-HZII R200-30W-4000-WH-GP	258*251*102	0.982	530*265*435	7.856	8
540001040110	LEDDownlight Rc-HZII R200-30W-5700-WH-GP	258*251*102	0.982	530*265*435	7.856	8
540001040210	LEDDownlight Rc-HZII R200-40W-3000-WH-GP	258*251*102	0.982	530*265*435	7.856	8
540001040310	LEDDownlight Rc-HZII R200-40W-4000-WH-GP	258*251*102	0.982	530*265*435	7.856	8
540001040410	LEDDownlight Rc-HZII R200-40W-5700-WH-GP	258*251*102	0.982	530*265*435	7.856	8

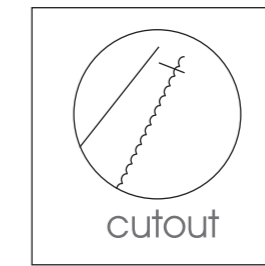
### Cut-out Drawing



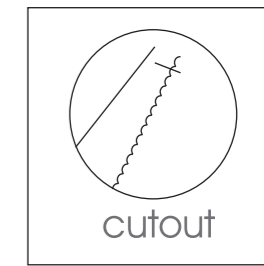
Φ100mm  
10W



Φ150mm  
15W

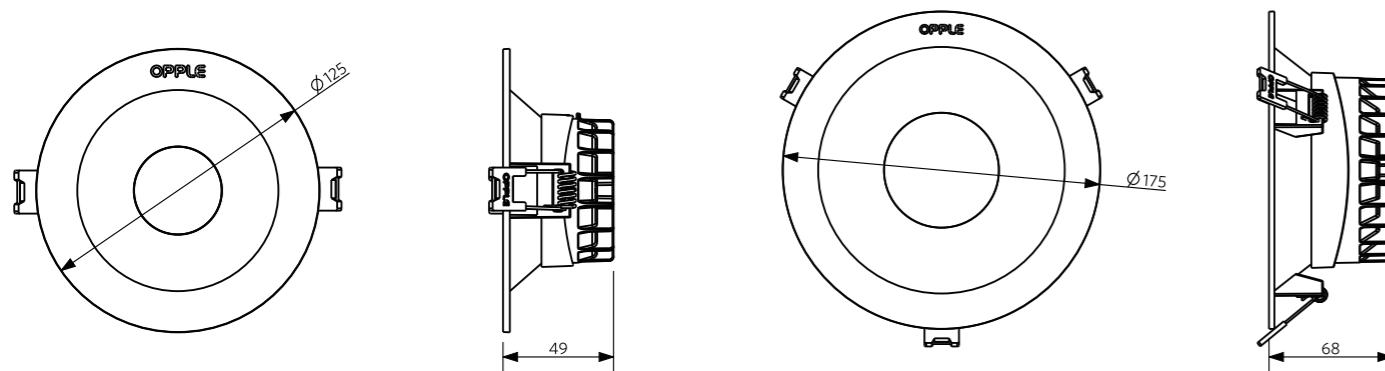


Φ175mm  
20W

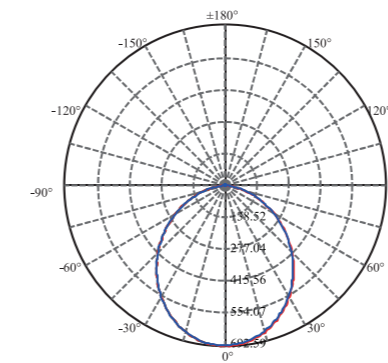


Φ200mm  
30W/40W

### Dimensional Drawing



### Photometric Data



10W/15W/20W/30W/40W