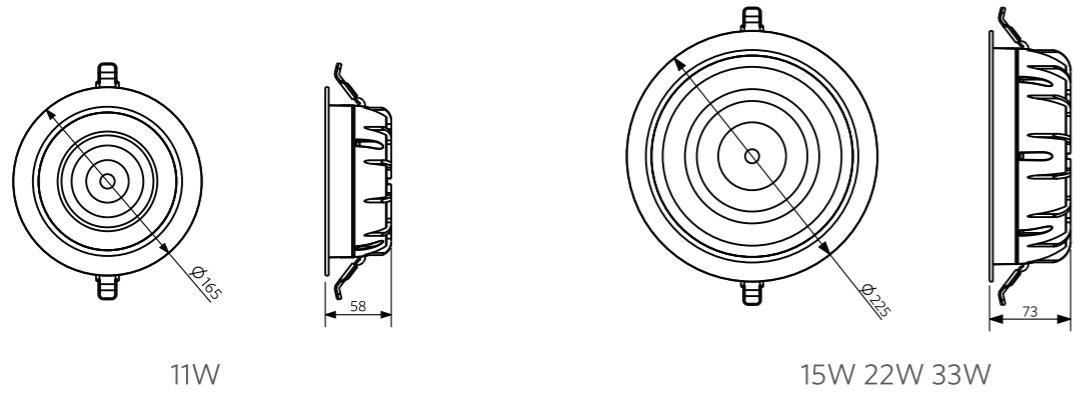
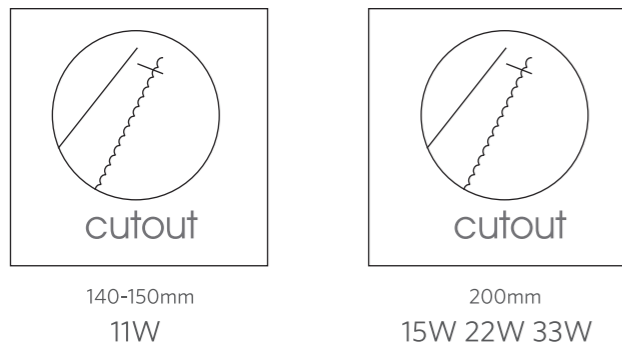


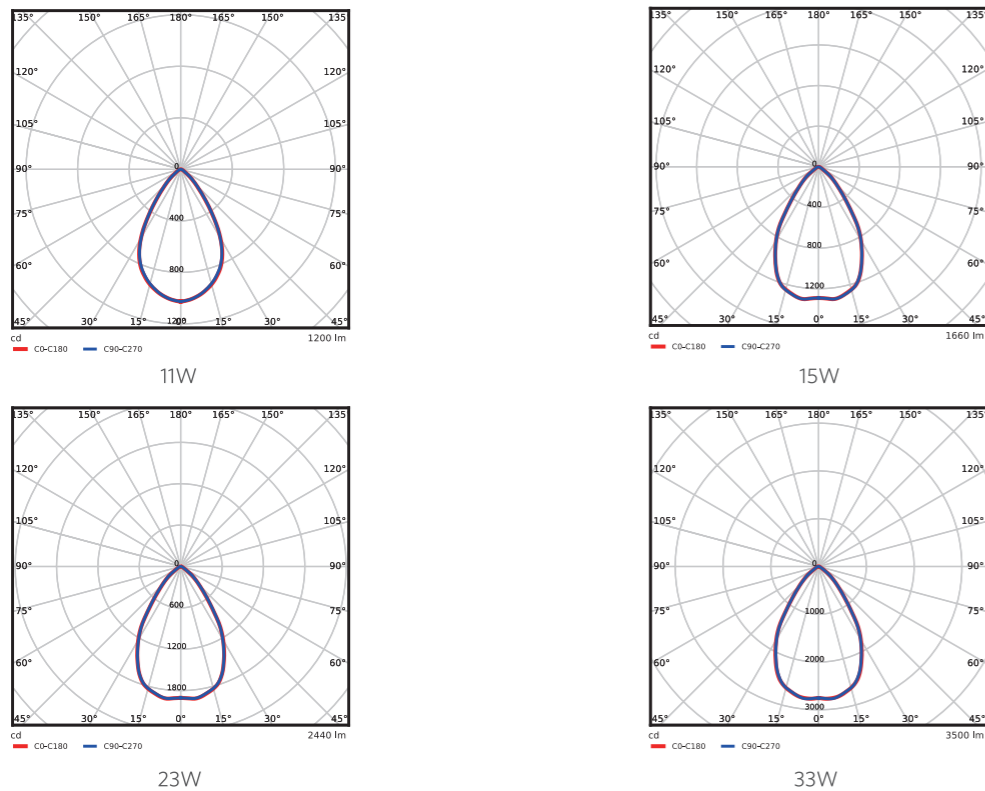
Dimensional Drawing



Cut-out Drawing



Photometric Data



LED Downlight HR

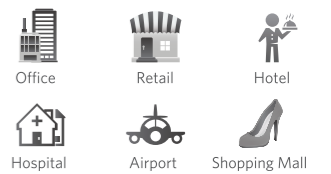
Features

- Anti-glare Darklight reflector, UGR< 19
- High lumen efficacy, 100 lm/W
- Optimal heat management
- Broad range of sizes: 2.5", 3", 4", 6" or 8"

Benefits

- Glare free, visually comfortable light for working, living and learning
- Up to 60% energy savings compared to CFL
- Lasts 5 times longer than CFL
- Easily retrofit conventional fixtures with LED

Application



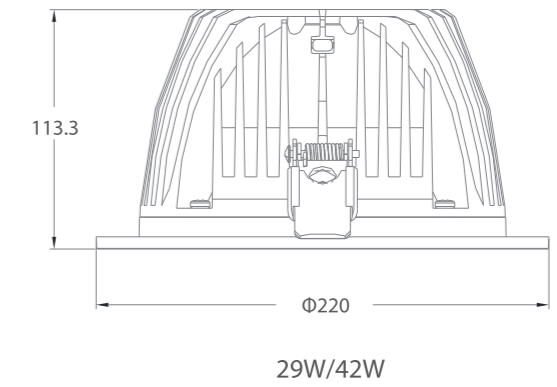
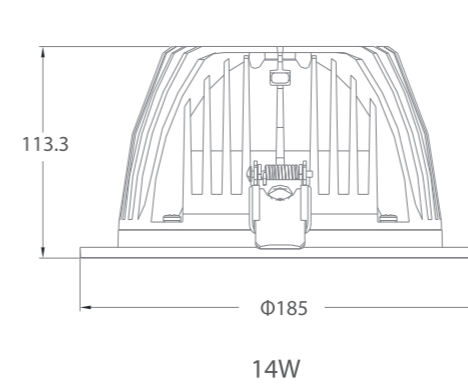
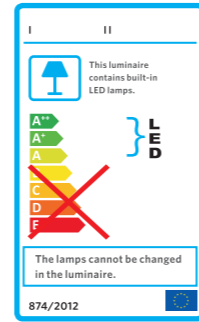
Specification

Item Code	Item Description	Power (W)	Power Factor	Lumen (lm)	Efficacy (lm/W)	Input Current (mA)	Beam Angle (°)	CRI	UGR	CTT (K)	Lifetime (L70B50)	MOQ (pcs)
140048198	LED DownlightRc-HR R82-5W-3000-WH-GP	5	0.70	330	66	30	75	≥80	19	3000	30000	540
140048199	LED DownlightRc-HR R82-5W-4000-WH-GP	5	0.70	370	74	30	75	≥80	19	4000	30000	540
140047845	LED DownlightRc-HR R82-5W-5700-WH-GP	5	0.70	400	80	30	75	≥80	19	5700	30000	540
140048200	LED DownlightRc-HR R100-6W-3000-WH-GP	6	0.70	430	72	40	75	≥80	19	3000	30000	540
140048201	LED DownlightRc-HR R100-6W-4000-WH-GP	6	0.70	480	80	40	75	≥80	19	4000	30000	540
140048202	LED DownlightRc-HR R100-6W-5700-WH-GP	6	0.70	520	87	40	75	≥80	19	5700	30000	540
140048203	LED DownlightRc-HR R120-9W-3000-WH-GP	9	0.70	700	78	70	75	≥80	19	3000	30000	540
140048204	LED DownlightRc-HR R120-9W-4000-WH-GP	9	0.70	750	83	70	75	≥80	19	4000	30000	540
140047846	LED DownlightRc-HR R120-9W-5700-WH-GP	9	0.70	800	89	70	75	≥80	19	5700	30000	540
140048205	LED DownlightRc-HR R175-14W-3000-WH-GP	14	0.80	1220	87	90	80	≥80	19	3000	30000	540
140048206	LED DownlightRc-HR R175-14W-4000-WH-GP	14	0.80	1320	94	90	80	≥80	19	4000	30000	540
140047847	LED DownlightRc-HR R175-14W-5700-WH-GP	14	0.80	1410	101	90	80	≥80	19	5700	30000	540
140048207	LED DownlightRc-HR R210-29W-3000-WH-GP	29	0.95	2300	79	140	80	≥80	19	3000	30000	320
140048208	LED DownlightRc-HR R210-29W-4000-WH-GP	29	0.95	2500	86	140	80	≥80	19	4000	30000	320
140047848	LED DownlightRc-HR R210-29W-5700-WH-GP	29	0.95	2650	91	140	80	≥80	19	5700	30000	320
140048209	LED DownlightRc-HR R210-42W-3000-WH-GP	42	0.95	3400	81	210	80	≥80	19	3000	30000	320
140048210	LED DownlightRc-HR R210-42W-4000-WH-GP	42	0.95	3650	87	210	80	≥80	19	4000	30000	320
140048211	LED DownlightRc-HR R210-42W-5700-WH-GP	42	0.95	3900	93	210	80	≥80	19	5700	30000	320

Technical Specifications	
On / Off Cycles	50,000
Colour Consistency (SDCM)	6
Dimmable	No
Finishing Colour	White
IP	IP20, IP44 for exposed parts
Driver Integrated (Yes/No)	No
Glow Wire Test	650°C
Driver Failure Rate	1% at 5000h
Weight (kg/pc)	0,21/0,27/0,43/0,39 0,73/0,71/1,2

Electrical Supply	
Frequency (Hz)	50/60
Voltage (V)	220-240
AC/DC	AC
Mechanical Properties	
Optical Material	Die-cast Aluminum
Housing Material	Aluminum Coated PC
Application Conditions	
Operating Temperature	-10-40°C
Application Temperature	25°C
Storage Environment	-25-50°C

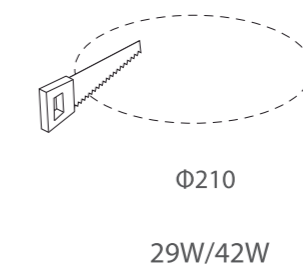
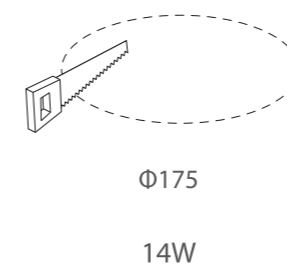
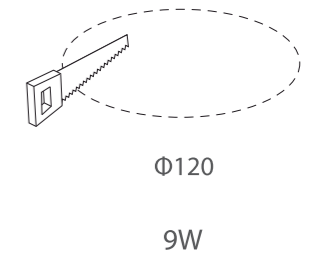
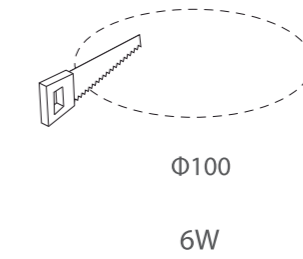
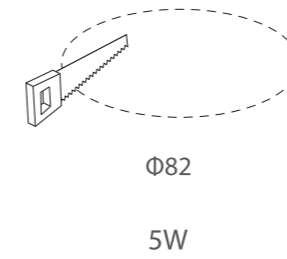
CE CB



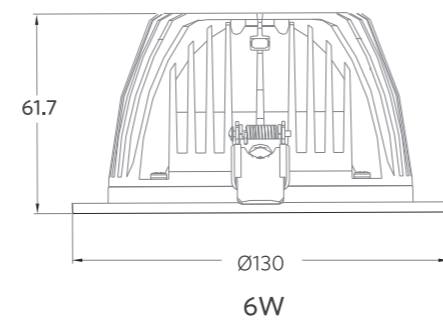
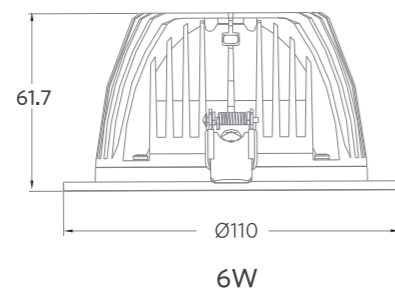
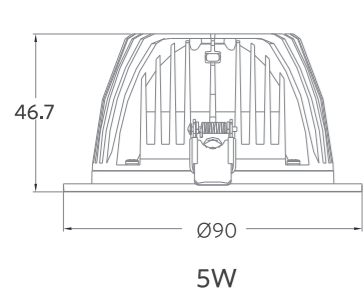
Packaging Information

Item		Single Box(1pc/box)		Outer box		
Item Code	Item Description	Dimensions(mm) (LxWxH)	Gross Weight (kg)	Dimensions(mm) (LxWxH)	Gross Weight (kg)	Packing Qty (pcs/CTN)
140048198	LED DownlightRc-HR R82-5W-3000-WH-GP	128x128x80	0.28	400x270x265	5.09	18
140048199	LED DownlightRc-HR R82-5W-4000-WH-GP	128x128x80	0.28	400x270x265	5.09	18
140047845	LED DownlightRc-HR R82-5W-5700-WH-GP	128x128x80	0.28	400x270x265	5.09	18
140048200	LED DownlightRc-HR R100-6W-3000-WH-GP	150x150x93	0.41	465x315x305	7.42	18
140048201	LED DownlightRc-HR R100-6W-4000-WH-GP	150x150x93	0.41	465x315x305	7.42	18
140048202	LED DownlightRc-HR R100-6W-5700-WH-GP	150x150x93	0.41	465x315x305	7.42	18
140048203	LED DownlightRc-HR R120-9W-3000-WH-GP	135x135x100	0.45	290x150x320	2.70	6
140048204	LED DownlightRc-HR R120-9W-4000-WH-GP	135x135x100	0.45	290x150x320	2.70	6
140047846	LED DownlightRc-HR R120-9W-5700-WH-GP	135x135x100	0.45	290x150x320	2.70	6
140048205	LED DownlightRc-HR R175-14W-3000-WH-GP	188x188x120	0.96	584x396x140	5.76	6
140048206	LED DownlightRc-HR R175-14W-4000-WH-GP	188x188x120	0.96	584x396x140	5.76	6
140047847	LED DownlightRc-HR R175-14W-5700-WH-GP	188x188x120	0.96	584x396x140	5.76	6
140048207	LED DownlightRc-HR R210-29W-3000-WH-GP	250x250x145	1.60	520x267x455	9.60	6
140048208	LED DownlightRc-HR R210-29W-4000-WH-GP	250x250x145	1.60	520x267x455	9.60	6
140047848	LED DownlightRc-HR R210-29W-5700-WH-GP	250x250x145	1.60	520x267x455	9.60	6
140048209	LED DownlightRc-HR R210-42W-3000-WH-GP	250x250x145	1.60	520x267x455	9.60	6
140048210	LED DownlightRc-HR R210-42W-4000-WH-GP	250x250x145	1.60	520x267x455	9.60	6
140048211	LED DownlightRc-HR R210-42W-5700-WH-GP	250x250x145	1.60	520x267x455	9.60	6

Cut-out Drawing



Dimensional Drawing



Photometric Data

